

CERTIFICATION OF COMPLIANCE

Contains: WG1048E Description: 8" Round Suction Outlet Cover

Ratings: Floor: 125 GPM Wall: 72 GPM Open Area: 8.1 sq-in

Certified to Comply with Section 1404 of the Virginia Graeme Baker Act (VGB) Pool & Spa Safety Act

Test Results can be obtained from: www.Haywardnet.com and/or <http://www.nsf.org/Certified/Pools/>

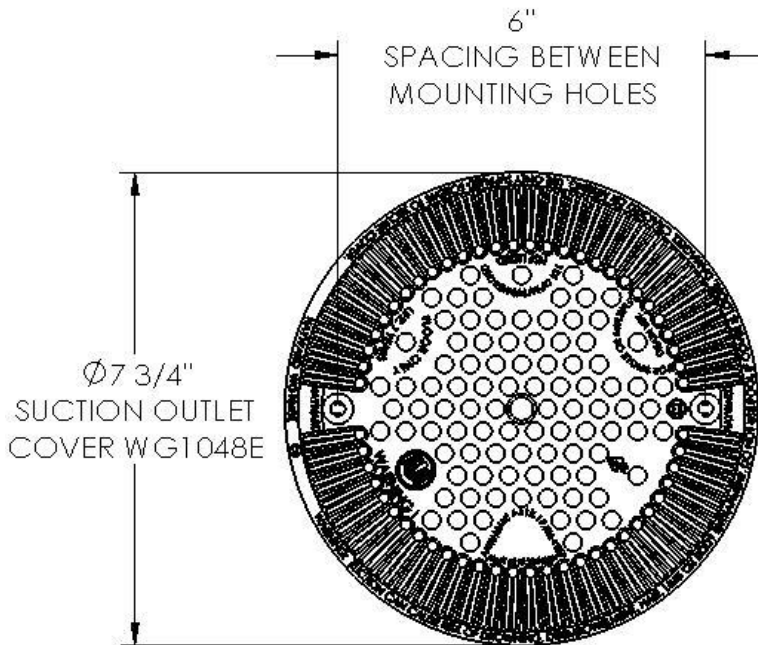
Manufactured: Between October 2008 and December 2008, by Hayward Pool Products in Jiangsu Province, China and Clemmons, NC Divisions of Hayward Industries, Inc. 620 Division Street, Elizabeth, NJ 07207, Phone 908-355-7995

Date of Mfr: The Lot Number shown on the product label contains the Year & Month of manufacture. The first number represents the year (ex 8 = 2008) and the second character the month (A=Jan, B=Feb, H=Aug, I is skipped, J=Sep, etc)

Tested to ANSI/ASME 112.19.8-2007 (addendum 8a-2008) per Section 1404 of the Virginia Graeme Baker Act (VGB) Pool & Spa Safety Act. Certified by NSF International, 789 N. Dixboro, Road, Ann Arbor, MI. 48105 1(800)-NSF-MARK.

Date of Installation: _____

ISWG1048COC



USED ON FOLLOWING SERIES:

WG1030AVPAK2	SP1030AVPAK2
WG1048AVPAK2	SP1048AVPAK2
WG1049AVPAK2	SP1049AVPAK2
WG1051AVPAK2	SP1051AVPAK2
WG1052AVPAK2	SP1052AVPAK2
WG1053AVPAK2	SP1053AVPAK2
WG1054AVPAK2	SP1054AVPAK2
WG1153AVPAK2	SP1153AVPAK2
WG1154AVPAK2	SP1154AVPAK2