



## Superior performance. Superior energy efficiency. Superior value.

The TriStar Pump's advanced hydraulic design optimizes the three essential pump elements to deliver superior flow, impressive energy efficiency and value. The heavy-duty pump and motor run cooler for years of dependability.

The first to feature a Tri-Lock cam and ramp strainer cover that closes with less than a quarter turn, TriStar also sports a super-sized, smooth, no-rib basket with extra leaf-holding capacity that's a snap to clean. With a variety of bases, TriStar seamlessly retrofits to existing filtration systems.

**Pumps**

Filters

Heaters

Heat Pumps

Cleaners

Lighting

Controls

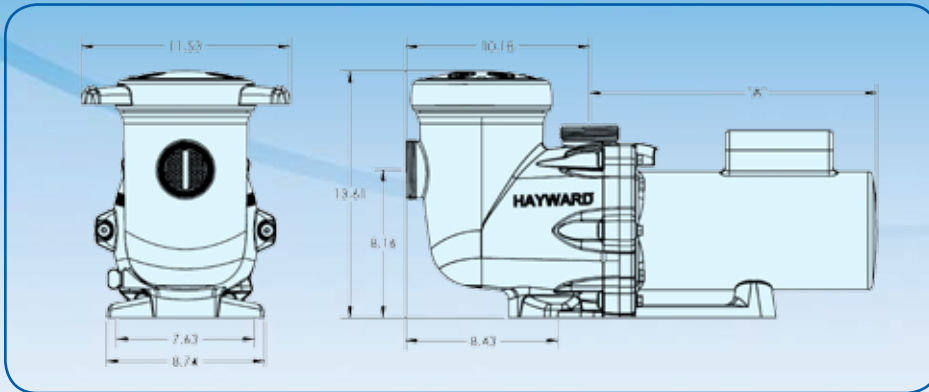
Electronic Chlorine  
Generators

---

Total System

# TriStar Pump

Technology incorporated into TriStar creates a new benchmark in residential pool pumps and its higher flow rates can allow for stepping down in pump horsepower. Overall, TriStar features the most energy efficient hydraulics, and is the simplest pump to install, retrofit and service.

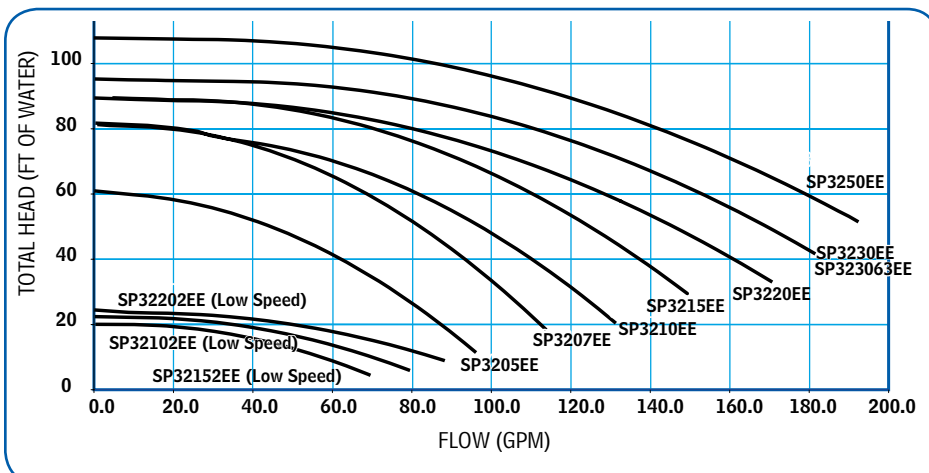


## Features

- Advanced hydraulic design delivers superior flow, energy efficiency and value
- Higher flow rates can allow for stepping down in pump horsepower
- Desert-rated, energy efficient, high performance motor designed for temperatures up to 140 °F for cooler operation and longer motor life
- Threaded 2" x 2 1/2" CPVC union connections make installation and servicing fast and easy
- Impeller/diffuser system with anti-rotational brass insert/lock screw configuration prevents impeller spin-off.
- Extra leaf-holding capacity basket extends time between cleanings. No-rib design insures easy debris removal.
- Tri-Lock cam and ramp strainer cover design seals with less than a quarter turn.
- Crystal clear strainer cover lets you see when the basket needs cleaning.
- Pressure testable to 50 psi maximum
- Service-ease design: power-end assembly (motor/impeller/diffuser) can be removed without disturbing plumbing or mounting connections, simply by removing six bolts.
- Second base included, aligns TriStar with Pentair® WhisperFlo® plumbing for easy retrofit
- Self-priming (suction lift up to 10' above water level)

SINGLE SPEED MODELS	TOTAL HP	FULL RATE HP	SERVICE FACTOR	VOLTS	PIPE SIZE Inches	DIMENSION "A" Inches
SP3205EE	.99	1/2	1.98	115/208/230	2" / 2-1/2"	13-5/8"
SP3207EE	1.39	3/4	1.85	115/208/230	2" / 2-1/2"	13-7/8"
SP3210EE	1.85	1	1.85	115/208/230	2" / 2-1/2"	14-3/8"
SP3215EE	2.40	1-1/2	1.60	115/208/230	2" / 2-1/2"	14-7/8"
SP3220EE	2.70	2	1.35	208/230	2" / 2-1/2"	14-7/8"
SP322063EEV*	2.70	2	1.35	208/230	2" / 2-1/2"	13-1/2"
SP3230EE	3.60	3	1.20	208/230	2" / 2-1/2"	17-1/8"
SP320363EE*	3.60	3	1.20	208/230/460	2" / 2-1/2"	17-1/8"
SP3250EE	5.0	5	1.00	208/230	2" / 2-1/2"	17-1/8"
HAYWARD ENERGY SOLUTIONS 2-SPEED MODELS	TOTAL HP	FULL RATE HP	SERVICE FACTOR	VOLTS	PIPE SIZE Inches	DIMENSION "A" Inches
SP32102EE	1.85	1	1.85	208/230	2" / 2-1/2"	14-3/8"
SP32152EE	2.40	1-1/2	1.60	208/230	2" / 2-1/2"	14-7/8"
SP32202EE	2.70	2	1.35	208/230	2" / 2-1/2"	14-7/8"

\*Three Phase



**TRISTAR™ 2-SPEED**  
 UP TO **75% SAVINGS**  
 ON YOUR ENERGY COSTS

