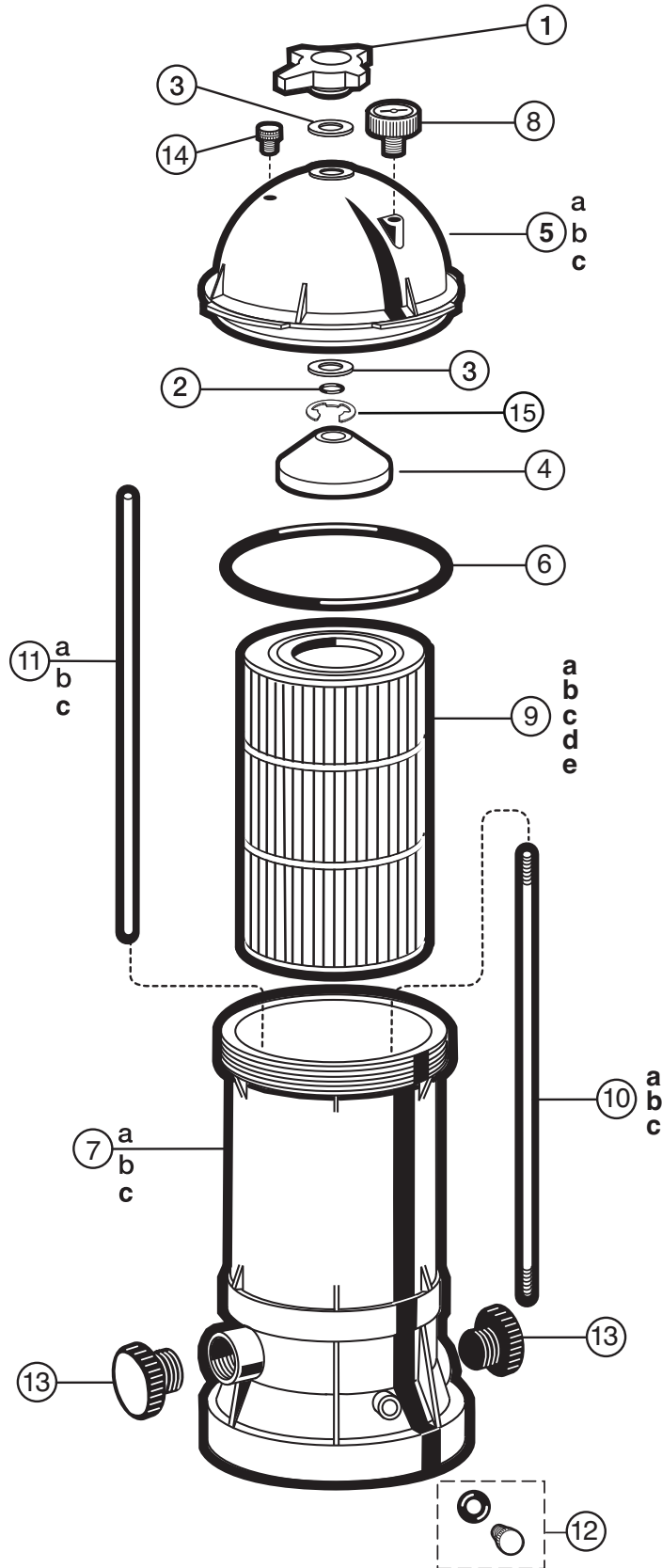




Star-Clear™ Plus

CARTRIDGE FILTER SERIES AND SEPARATION TANK REPLACEMENT PARTS

Parts Diagram



Filters

Parts Listing

Ref. No.	Part No.	Description	Ctn. Qty.	No. Req'd
1	CX900G	Locking Knob (C900, C1200 Series)	5	1
	CX1750G	Locking Knob (C1750 Series)	5	1
2	CX900H	O-Ring	10	1
3	CX900W	Washer (2 required)	20	2
4	CX900D	Guide Cone	10	1
5a	CX900B	Filter Head w/Directional Vent Valve (C751, C900 Series)	10	1
5b	CX1200B	Filter Head w/Directional Vent Valve (C1200 Series)	1	1
5c	CX1750B	Filter Head w/Directional Vent Valve (C1750 Series)	1	1
6	CX900F	Filter Head O-Ring	10	1
7a	CX900AA	Filter Body – 1 1/2" FIP (C751, C900)	1	1
	CX900AA2	Filter Body – 2" FIP (C7512, C9002, C9002S)	1	1
7b	CX1200AA	Filter Body – 1 1/2" FIP (C1200)	1	1
	CX1200AA2	Filter Body – 2" FIP (C12002, C12002S)	1	1
7c	CX1750AA2	Filter Body – 2" FIP (C17502, C17502S)	1	1
8	ECX271261	Pressure Gauge	10	1
9a	CX760RE	Cartridge Element (C751 Series)	1	1
9b	CX900RE	Cartridge Element (C900 Series)	1	1
9c	CX1200RE	Cartridge Element (C1200 Series)	1	1
9d	CX1750RE	Cartridge Element (C1750 Series)	1	1
9e	CX1900RE	Cartridge Element (C1900 Series)	1	1
10a	CX800Z2	Tie Rod (C751, C900 Series)	1	1
10b	CX1100Z2	Tie Rod (C1200 Series)	1	1
10c	CX1750Z2	Tie Rod (C1750 Series)	1	1
11a	CX800Z4	Auto Air Relief Tube (C900 Series)	2	1
11b	CX1100Z4	Auto Air Relief Tube (C1200 Series)	2	1
11c	CX1750Z4	Auto Air Relief Tube (C1750 Series)	2	1
12	CX250Z14A	Drain Plug Kit (includes Plug and O-Ring)	10	1
13	CX900K	2" PVC Socket Connector (Set of 2)	5	2
14	ECX1322A	Directional Vent Valve w/O-Ring	25	1
15	CX900J	E-Ring	10	1

D.E. SEPARATION TANK Parts same as C900 except as below:

—	CX900DB	D.E. Collector Bag Assembly (May 2004 and prior)	1	1
—	CX900DBA	D.E. Collector Bag Assembly (After May 2004)	1	1