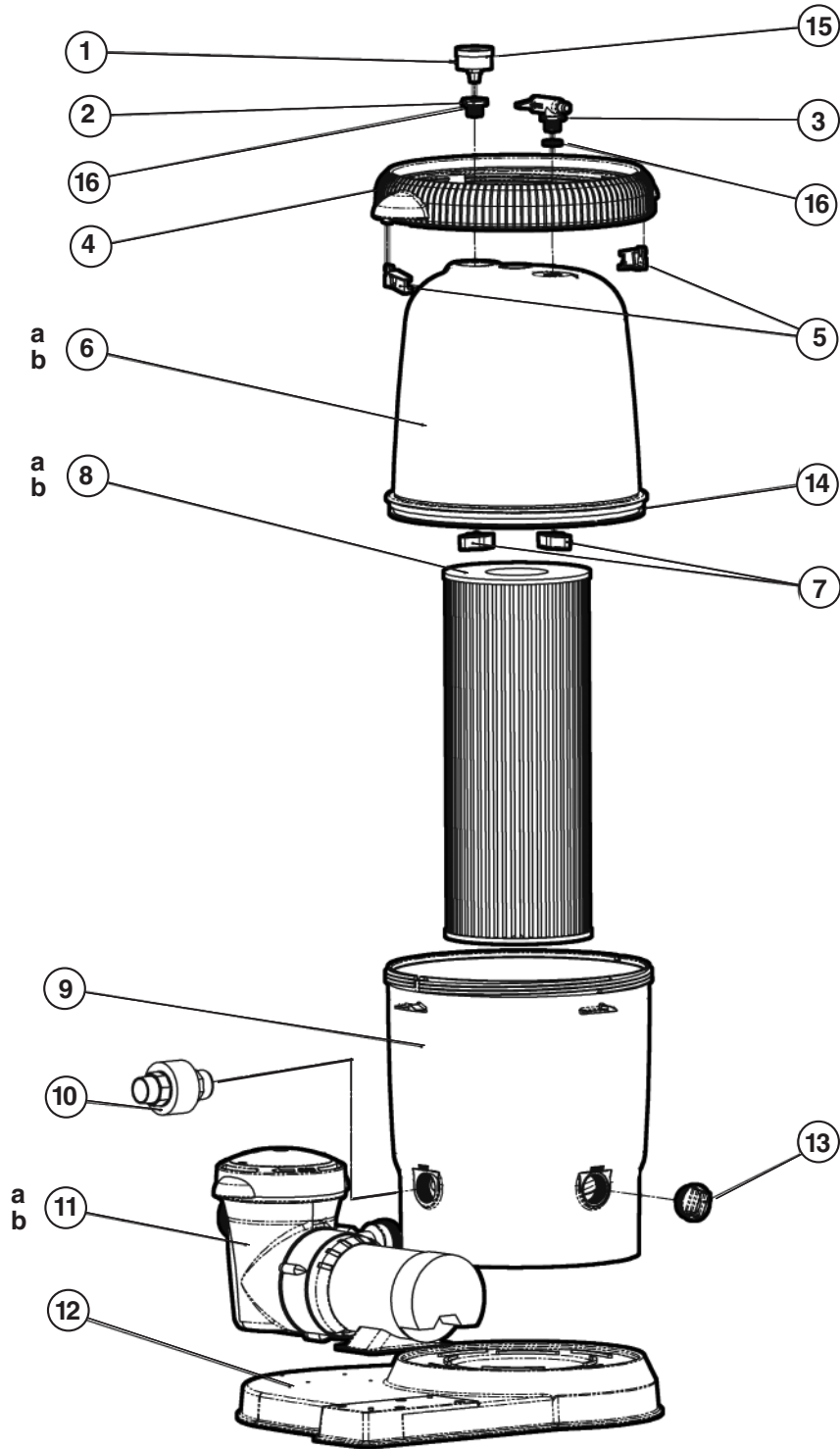




# XStream™ Filtration Series

CARTRIDGE FILTER SERIES REPLACEMENT PARTS

## Parts Diagram



Filters

# XStream™ Filtration Series

CARTRIDGE FILTER SERIES REPLACEMENT PARTS



## Parts Listing

Ref. No.	Part No.	Description	Ctn. Qty.	No. Req'd
1	ECX2709A1	Pressure Gauge	10	1
2	CCX1000L	Threaded Adapter for Pressure Gauge	10	1
3	CCX1000V	Air Relief Assembly w/O-Ring	10	1
4	CCX1000D	Lock Ring Assembly w/2 Safety Clips	1	1
5	CCX1000H	Safety Clips for Lock Ring ( <i>Set of 2</i> )	10	2
6a	CCX1000C	Filter Lid w/Lock Ring, 100 sq. ft.	1	1
6b	CCX1500C	Filter Lid w/Lock Ring, 150 sq. ft.	1	1
7	CCX1000N	Adapter Nut ( <i>Set of 2</i> )	10	2
8a	CCX1000RE	Cartridge Element, 100 sq. ft.	1	1
8b	CCX1500RE	Cartridge Element, 150 sq. ft.	1	1
9	CCX1000B	Filter, Lower Body	1	1
10	SP1480BLK	Self Aligning Union, Black	50	1
11a	SP1592	1 H.P. Power-Flo Matrix Pump	1	1
11b	SP1593	1 1/2 H.P. Power-Flo Matrix Pump	1	1
12	CCX1000A	Base, Standard	1	1
13	SP1022CBLK	Drain Plug w/O-Ring, Threaded 1 1/2" (Black)	100	1
14	CCX1000G	Body O-Ring	1	1
15	SPX1500W	Pressure Gauge O-Ring	10	1
16	CCX1000Z5	O-Ring for Gauge Adapter and Air Relief	10	2

Filters